

Guidelines for Building Sewer Construction

LaPorte County Regional Sewer
and Water District

Amended 10-21-2021

Prepared & Maintained by:



LCRSWD District Engineer

Guidelines for Building Sewer Construction

LaPorte County Regional Sewer and Water District LaPorte County, State of Indiana

The following guidelines shall apply for all residential, commercial, industrial, and institutional users connecting to the LaPorte County Regional Sewer and Water District (the District) sanitary sewer collection system. These guidelines cover the administrative procedure and the construction of gravity sewer lateral, pressure sewer lateral, and pressure sewer lateral from any serviced structure to an existing sanitary service lateral, pressure main, or grinder pump station within the jurisdiction of the LaPorte County Regional Sewer and Water District.

The Provisions of this document are intended to retire existing septic systems and to implement uniform sewer connection procedures to prevent infiltration and contaminants from entering and damaging the District sewer system.

Part 1 – Administrative

1.1 Forms

The following documents shall be executed during the building sewer application process and are included as attachments herein.

1. Sewer Connection Agreement (**Form A**)
2. Application for Sewer Connection Permit (**Form B**)
3. Sewer Location Sketch (**Form C**)
4. Sewer Connection Permit Certificate of Approval (**Form D**)

1.2 Submittals

Property owners seeking connection to the District sanitary sewer system are required to submit the following prior to start of any building sewer connection work:

1. Fully executed Sewer Connection Agreement (**Form A**)
2. Fully executed Application for Sewer Connection permit (**Form B**)
3. Sewer Location Sketch (**Form C**)
4. Insurance Certificates from Contractor and/or Landowner, or proof of Bond
5. Payment for Permit Fee & Inspection Fee as stipulated in the Sewer Rate Ordinance effective at the time the permit is being requested

Part 2A – Codes, Standards and Ordinances

The following codes, standards and ordinances are all applicable to the work herein described, either in part or entirety, except that where more stringent requirements are set forth under codes, laws, and ordinances of federal, state and/or local governing bodies having jurisdiction, those more stringent requirements take precedence.

- A. Sewer Use Ordinance currently being adopted by the District.
- B. Sewer Rate Ordinance No. **2013-1, 2018-1, 2018-2, 2018-4, and 2020-2** as adopted by the District.
- C. BOCA National Plumbing Code, current edition, with Indiana amendments

- D. NFPA 70 National Electrical Code, current edition, with Indiana amendments
- E. Indiana State Department of Health, Bulletin S.E. 13 "On Site Water Supply and Wastewater Disposal for Public and Commercial Establishments", current edition
- F. Indiana Administrative Code 410 IAC 6-8.1 "Residential Sewage Disposal Systems"
- G. Indiana Department of Transportation Standard Specifications 2022

Part 2B – Insurance

Prior to execution of the work, all contractors must procure and maintain insurance of the types and limits specified by the Board from a carrier licensed to do business in the State of Indiana. All such insurance must be evidenced by a "Certificate of Insurance" to be submitted with the "**Application for Building Sewer Connection Permit**".

Certificate of Insurance Requirements:

Before the District will accept the "**Application for Building Sewer Connection Permit**" The contractor shall show one of the following proofs of insurance when filing the application.

- 1) Public Liability and Property Damage Insurance in an amount not less than one Million dollars (\$1,000,000.00) in the case of damage or injury to one or more persons.
- 2) Public Liability and Property Damage Insurance filed with and in the amounts specified and required by the County in which the Contractor is engaged in the business of sewer construction or other ancillary work related to construction in the LaPorte County Regional Sewer and Water District within that County. Insurance filed with said County shall list the LaPorte County Regional Sewer and Water District as an additional insured.

Homeowners completing work without a contractor shall either present a Property Owner's policy amended, or obtain a separate policy, to cover damages to the public sewer system from their operations. Such coverage shall be issued in the amount of \$10,000 and be evidenced by a "Certificate of Insurance" to be submitted with the "**Application for Building Sewer Connection Permit**".

Part 2C – Bonds

In addition to Insurance, all contractors and their subcontractors engaged in providing all or any part of the work of connecting a building or buildings to the main sewer system with a building sewer must furnish guaranteed surety to the LaPorte County Regional Sewer and Water District in the form of a permit bond in the amount of \$5000, in the event that the contractor or subcontractor damages any part of the public sewer system for which corrective action must be taken by the District.

Part 2D – Contractor County Registration

Contractor shall obtain and maintain a current Contractor Registration if required in the County in which the Contractor plans on engaging in the business of sewer construction or other ancillary work related to the sewer construction within LaPorte County Regional Sewer and Water District that lies within that County.

Part 3 – Materials

3.1 Gravity Sewer and Pressure Sewer Laterals

- A. Sewer laterals 50' or more from water wells (public or private): Any new building sewer gravity laterals, installed between the structure and the grinder station, shall be SDR 35 Polyvinyl Chloride (PVC) pipe or Schedule 40 Polyvinyl Chloride (PVC) pipe with gasketed, push on joints. Glued-joint pipe is not acceptable. Existing lateral pipe conforming to current County Health Department standards may continue to be utilized, provided all

other applicable standards herein are maintained.

- B. Minimum separation requirements as stipulated in IAC 410 shall be observed whenever potable water wells are located within the minimum isolation distances defined therein.

Specifically, IAC 410-6-8.3 57d – Sewers shall not be located within fifty (50) feet of any water supply well or subsurface pump action line, except as follows:

(1) Sewers constructed of waterworks grade ductile iron pipe with tyton or mechanical joints, or PVC pressure sewer pipe with an SDR rating of twenty-six (26) or less with compression on gasket joints, may be located within the fifty (50) foot distance.

(2) In no case shall sewers be located closer than twenty (20) feet to dug and bored water supply wells or closer than ten (10) feet to drilled and driven water supply wells or subsurface pump suction lines.

- C. Sewer lateral size and scope:

- a. All sanitary service laterals shall be either four (4) or six (6) inches in diameter.
- b. 4" Sanitary service laterals shall be laid with a minimum slope of 1.33% and a maximum slope of 12.0%.
- c. 6-inch diameter laterals shall be laid at a minimum slope of 0.67% and a maximum slope of 12.0%.

(minimum and maximum slopes taken directly from 410 IAC 6-8.2-62)

- D. In instances where gravity or pressure sewer laterals must be constructed due to inadequate or negative slope between Building and grinder station, where a homeowner has a sewage ejector inside the house, the following special provisions will apply:

- a. pipe shall be of waterworks grade, with gasket, pressure grade push on joints (i.e., SDR 21 PVC or Class 52 ductile iron pipe)
- b. the ejector pit shall be located greater than 50 feet of potable water wells (public or private).
- c. the pump a/o ejector pit shall not be capable of exceeding a flow rate of 14 gallons per minute and shall not pump waste in intervals exceeding 24 gallons. (sometimes referred to as "slugs")
- d. the District reserves the right to require anyone obtaining a permit for this type of connection to also provide pump curve performance data and shop drawings for the pump and ejector pit they are proposing to use.

3.2 Grinder Stations ***(Waived for properties connected during public sewer construction project.)***

Grinder pumps, basins, controls, and appurtenances shall meet the specific requirements of the pressure sewer system design and the standards of the District, as well as any applicable federal, state, or local authority. System design is based on the use of E-One Corporation Pumps. Any deviation from the specified pump, basin, controls, and appurtenances shall require prior written approval by the District.

3.3 Pressure Sewer Laterals ***(Waived for properties connected during public sewer construction project.)***

Pressure sewer laterals installed between the grinder pump unit and the pressure sewer main, shall be DR 11, 200 psi, high density polyethylene (HDPE) pipe, joined by the butt fusion or socket

fusion method. All pipes shall be one and one quarter inches (1-1/4") in diameter, unless wastewater flows and pumping rates require larger lateral sizing, and it is specifically approved by the District.

Tapping saddles, check valves, curb stops, curb boxes, and fittings shall conform to the requirements of the District. Refer to the typical details attached hereto for material requirements for pressure lateral taps. Taps to the mainline forcemain shall only be made by contractors pre-qualified for such work by the District.

Part 4 – Installation

4.1 Building sewers should be installed using the shortest and most direct route to the Grinder station. Interior plumbing modifications are suggested rather than excessive changes of direction in the building sewer. Any new plumbing done inside the house to within 5 feet of the home must be performed by a licensed plumber unless the homeowner does this work. See typical details attached hereto for typical details of installation.

4.2 Prior to the start of the work, both the location and elevation for the building sanitary drain and lateral connection to the sewer system must be identified to determine if slope is available in the allowable distance. The lateral connection location can be obtained from record drawings maintained by the District. (see 3.1 C b & c herein for minimum slopes)

If insufficient slope exists, the building sanitary sewer may be upsized to 6 inches from a minimum 4 inches diameter gravity flow pipe, requiring less slope.

Should inadequate or negative slope exist, the only method of sewer hookup available would be the use of a sewage ejector pump and pressure sewer lateral.

4.3 All fittings shall be installed to guide sewage in the direction of flow. There shall be no elbows or bends greater than 45 degrees.

4.4 When connecting laterals to pipe of differing material, a Fernco connection (or approved equivalent) shall be used. This is the only location such connector shall be used.

4.5 Any open trench lateral construction shall be bedded in a minimum of 3" granular material conforming to Indiana Department of Transportation (INDOT) No. 53 or No. 8 gradations. Native soils may be used only if they consist of sand or other similar materials. Native materials that include vegetable or other organic matter, all types of refuse, large pieces or fragments of concrete, large stones, boulders, or other similar materials shall not be used. Bedding shall be carefully placed up to the spring line of the pipe making sure that the lower quadrants of the pipe are firmly bedded and supported. The trench section from the spring line of the pipe to a point 3 feet above the pipe shall be carefully backfilled with suitable excavated material.

Suitable excavated material used for backfilling shall consist of loam, sand, or other similar materials. Backfill materials that include vegetable or other organic matter, all types of refuse, large pieces or fragments of concrete, large stones, boulders, or other similar materials shall not be used.

At all times during the work, proper care must be taken to keep the trench and any other excavation free from any ground and surface water. Such equipment must be supplied and maintained to keep excavations dry until the sewer pipe bedding and backfill are complete. Drain or pump water away from the work to a suitable location without interference to adjoining property

Refer to typical details attached hereto for pipe bedding and backfill requirements.

4.6 A sewer cleanout shall be installed a maximum of 7-feet from the building, or from the connection point to the buildings existing gravity waste line.

- 4.7 Sewer cleanouts shall be installed a maximum of every 100 feet along any gravity type building sewer. Accessible cleanouts shall also be installed at every change of direction.
- 4.8 Cleanouts shall be extended to grade, pipe liners (frost sleeves) are recommended to be placed around the cleanout extension to grade. The cleanout shall be a “Y” fitting installed in the direction of sewer flow with a 45-degree fitting directed to grade. See typical details attached hereto for a detail of cleanout construction.
- 4.9 Cleanouts shall be the same diameter as the sewer lateral pipe.
- 4.10 Cleanout access shall not be covered and shall be readily accessible. Cleanouts shall be plugged or capped with an approved watertight lid.
- 4.11 Include a green #12 trace wire clamped to the near-the-house cleanout with a stainless-steel hose clamp, buried on top of the building sewer.
- 4.12 All existing septic tanks, holding tanks and drywells, including any and all other buried containers and receptacles presently tied into the building and collecting waste, shall be disconnected, and properly abandoned or removed. All tanks, basins, containers, etc. shall, prior to backfill or removal, be emptied clean by a licensed septage service. Such work can be evidenced by a receipt.

Containers or receptacles constructed of materials subject to deterioration over a short period of time shall be removed and hauled from site.

Those septic tanks constructed of concrete or masonry may remain in place if found in sound condition. Tops or lids shall be removed and hauled from site or crushed into the tank. If built with solid bottoms, material must be broken up to allow for proper drainage, then backfilled with a debris-free sand or granular material, compacted in place to prevent settling. Where flowable mortar is used, the septic tank top may remain intact, provided all voids within the tank are filled adequately.

Septic tank abandonment shall be inspected by the District to ensure compliance with all local and State of Indiana regulations.

Properly grade and establish vegetative cover.

If electrical power is involved, it must be disconnected at the source and all control and lines removed.

The contents of the septic tank must be disposed of in a way meeting all Local and State health department standards.

- 4.13 Those existing sewer lines presently connecting the building sanitary drain to the septic tank, holding tank, that are also tied directly to the lake, or to a storm drain or other structure emptying into the lake must be disconnected and abandoned.
- 4.14 When it is required to tap an active pressure sewer main for a new pressure sewer lateral, every effort shall be made to prevent wastewater discharge from the system. This may be accomplished through tapping the active sewer in accordance with the typical details attached hereto. The District shall be notified a minimum of 48 hours prior to the tapping of any active sewer. The completed tap shall be approved by the District prior to being backfilled. Tapping an active pressure sewer main shall only be performed by a contractor pre-qualified by the District.
- 4.15 The property owner shall make every effort necessary to avoid prohibited connections, which include but may not be limited to the following: rain, surface or subsurface water, sump pumps

collecting rain and/or ground water, septic tanks, holding tanks, dry wells, and field drains. Internal piping shall be verified and inspected by the District before any connections are made. All Piping and fixtures on the property of the customer are assumed to be in satisfactory condition at the time the sewer connection is made, and sewer service furnished. The District reserves the right to require the correction of any unsatisfactory plumbing condition that may affect the integrity of the District sewer system if, during the inspection, such condition is found to exist. The District reserves the right to make any necessary repairs, if the customer refuses to do so, and shall bill the customer for the cost of said repairs.

- 4.16 The sewer lateral for all non-residential properties engaged in food service or food processing must include an acceptable self-contained grease trap.

Part 5 - Inspections

- 5.1 All building sewers and sewer laterals shall be inspected by the District to ensure compliance with these standards. A 72-hour notice for inspections is recommended
- 5.2 The entire installation and final hookup shall be inspected prior to backfilling, in order to verify materials and installation. Any building sewer lateral backfilled prior to an inspection approval shall be re-excavated at the owner's expense for inspection. In instances where service laterals are installed by directional drilling, the owner shall retain a sample of the piping material for verification by the inspector.
- 5.3 Building sewers and service laterals shall be pressure tested in the presence of the District's inspector to verify that no leaks are present. The contractor and/or property owner must make all arrangements to conduct the test, as well as furnish all labor, materials, tools, equipment, and apparatus. Gravity building sewers shall be tested by a low-pressure air test at 4.0psig for durations as listed in Table 5-1. Pressure sewer laterals shall be air tested at maximum operating pressure for 15 minutes based upon pipe Manufacturer's specifications prior to connection to District sewer. All laterals shall be tested from the first cleanout near the building to the District connection point.

Table 5-1

Pressure Air Test	
Minimum Time required for 0.5 psig Pressure Drop	
Length (ft)	Time (min:sec)
Up to 597	1:53
Greater than 597	0.190 * L

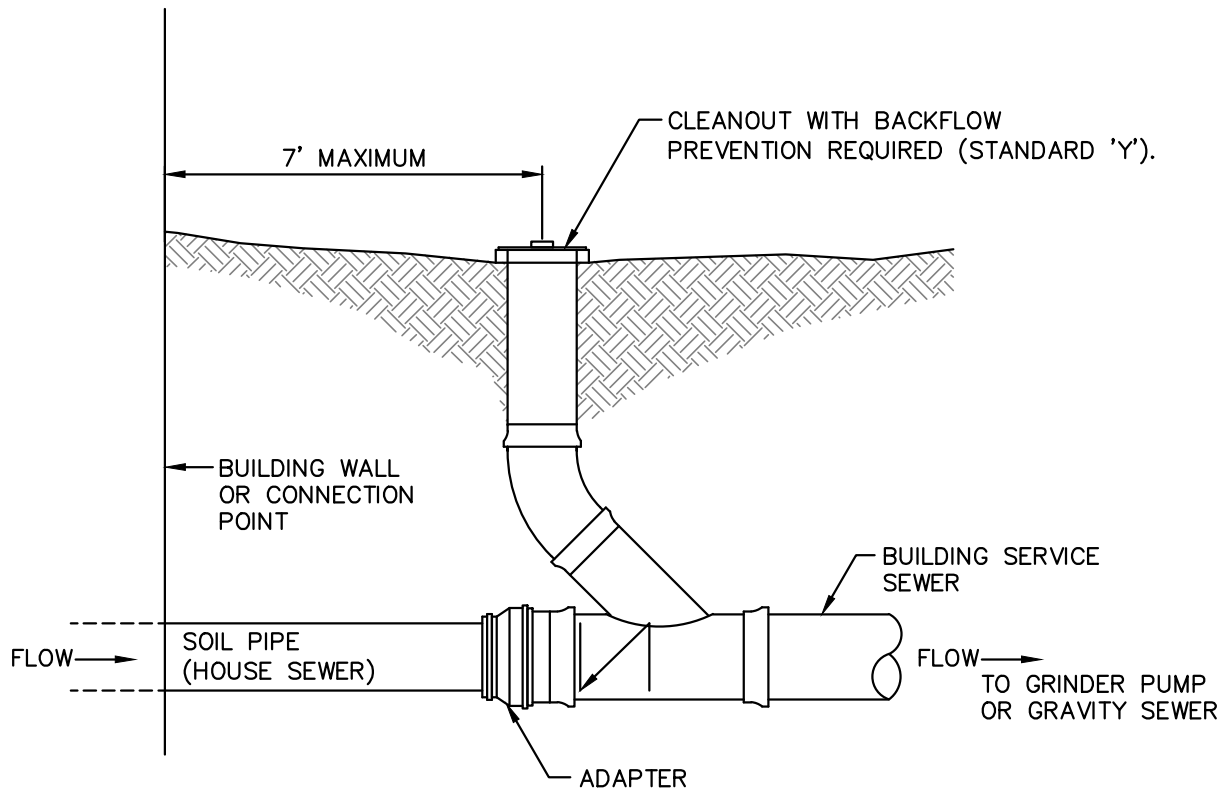
L = length of pipe (ft)

- 5.4 If it is to remain in place, the existing septic tank abandonment must be inspected prior to backfill.
- 5.5 No building sewer or sewer lateral installation or excavation of the lateral connection shall be allowed prior to completion of the District's main sewer collection and treatment systems.

Part 6 - Special Connections

- 6.1 Any condition where the property owner must provide a new tie into the main sewer line with a lateral connection or where multiple connections are necessary will be considered on an individual basis by the District for required materials, inspections, and tests.

LAPORTE COUNTY REGIONAL SEWER AND WATER DISTRICT STANDARD DETAILS



REV. DATE:	
-	

BUILDING ADAPTOR AND CLEANOUT DETAIL

LAPORTE COUNTY
REGIONAL SEWER AND WATER DISTRICT

300 NIBCO PKWY
SUITE 250
ELKHART, IN 46516
p: 574-849-0004



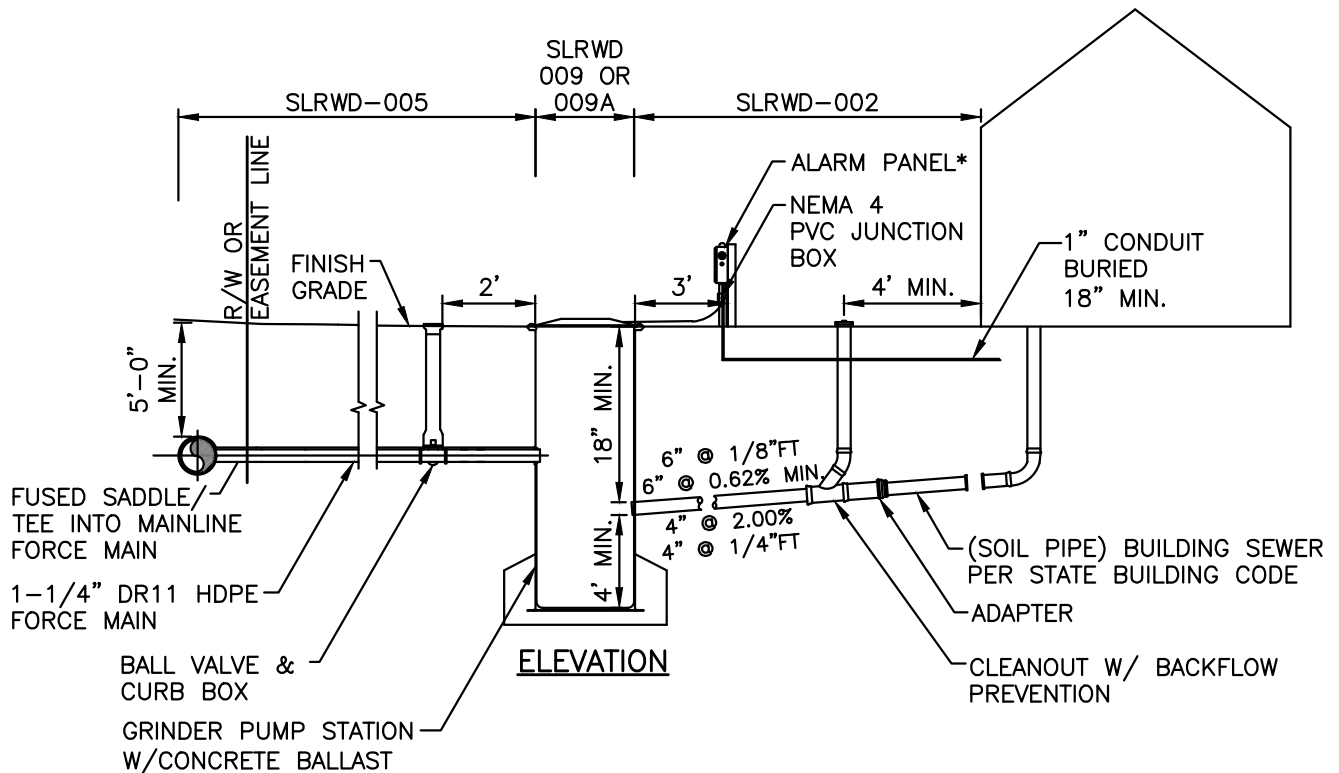
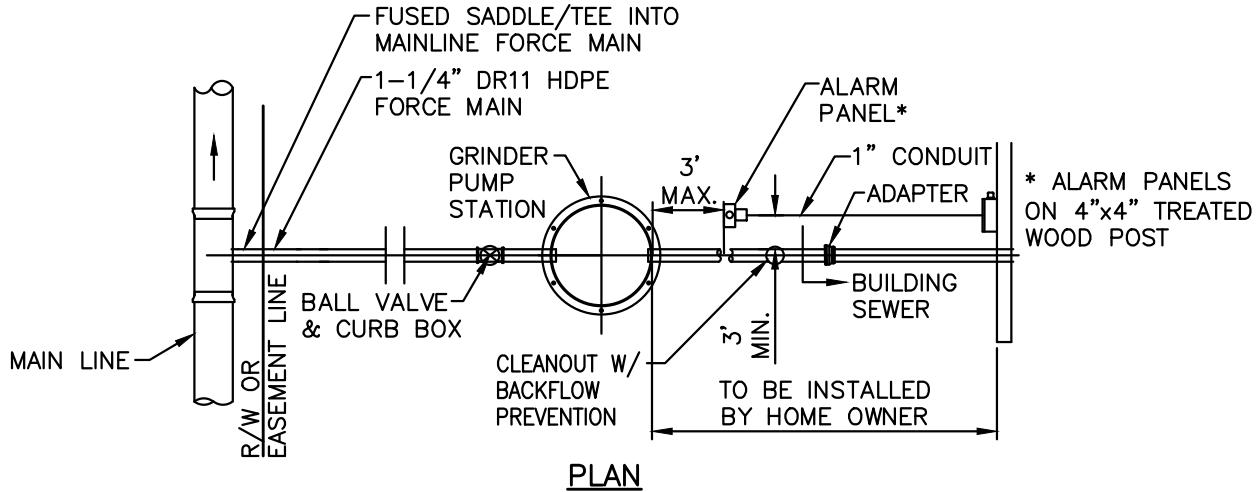
LAPORTE COUNTY REGIONAL SEWER AND WATER DISTRICT STANDARD DETAILS

*ALARM PANEL NOTES

1. ALARM PANEL WILL BE MOUNTED ON 4"x4" TREATED WOOD POST 3' FROM GRINDER TANK, ON THE SAME SIDE AS THE GRINDER TANK JUNCTION BOX.
2. ALARM PANEL SHALL BE DIRECTLY BEHIND THE GRINDER TANK ON THE PROPERTY LINE IF PANEL IS SHARED.
3. BOTTOM OF ALARM PANEL SHALL BE A MINIMUM OF 3' ABOVE GRADE.

NOTE:

1. ELECTRIC CONDUIT SHOULD NOT BE WITHIN 3 FOOT OF SEWER LINE EXCEPT TO CROSS.
2. POWER FROM CUSTOMER TO BE IN CONDUIT SEPARATE FROM ALL OTHER WIRING
3. ELECTRICAL CONDUIT TO ENTER BOTTOM OF PANEL.
4. ELECTRICAL WORK SHALL MEET LOCAL, STATE, AND FEDERAL CODES
5. GRAVITY SEWER INVERT TO BE MINIMUM 4 FEET ABOVE BOTTOM OF TANK AND NOT LESS THAN 18 INCHES FROM TOP OF TANK
6. RELATED DETAIL SEE SLRWD-009B

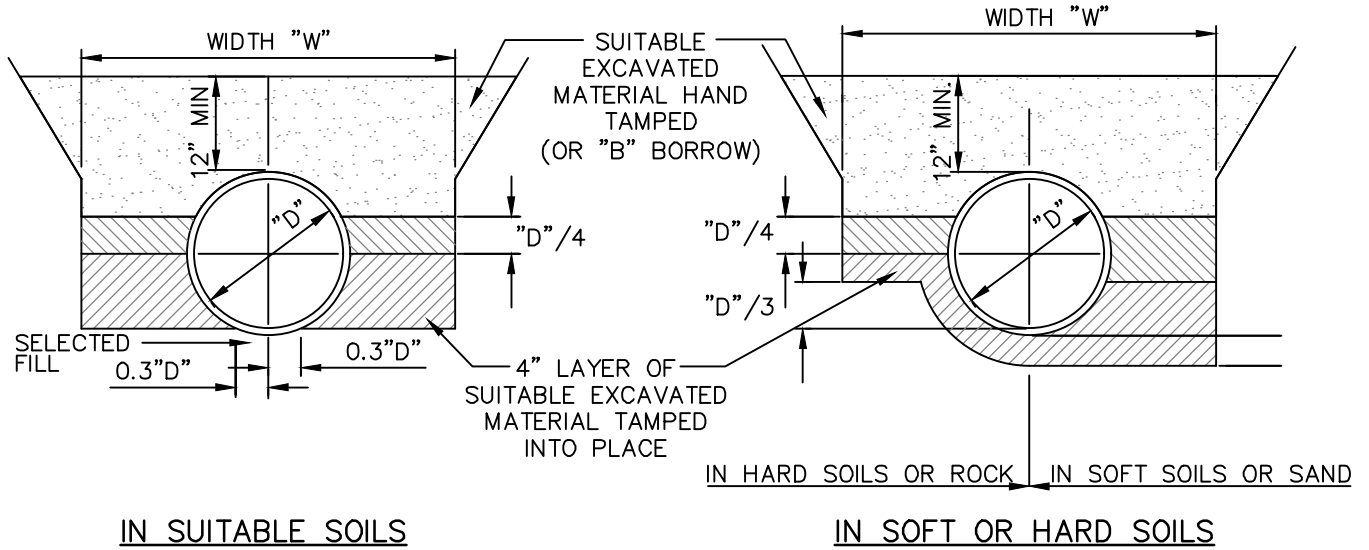


REV. DATE:	TYPICAL LOW PRESSURE SERVICE INSTALLATION DETAIL	
-	LAPORTE COUNTY REGIONAL SEWER AND WATER DISTRICT	
	300 NIBCO PKWY SUITE 250 ELKHART, IN 46516 p: 574-849-0004	LCRSWD-003
File: G:\2019 Projects\2019-0071 Laporte\District Ordinances and Related Info\Standard Construction Details\LCRSWD-003.dwg		

LAPORTE COUNTY REGIONAL SEWER AND WATER DISTRICT STANDARD DETAILS

NOTE:

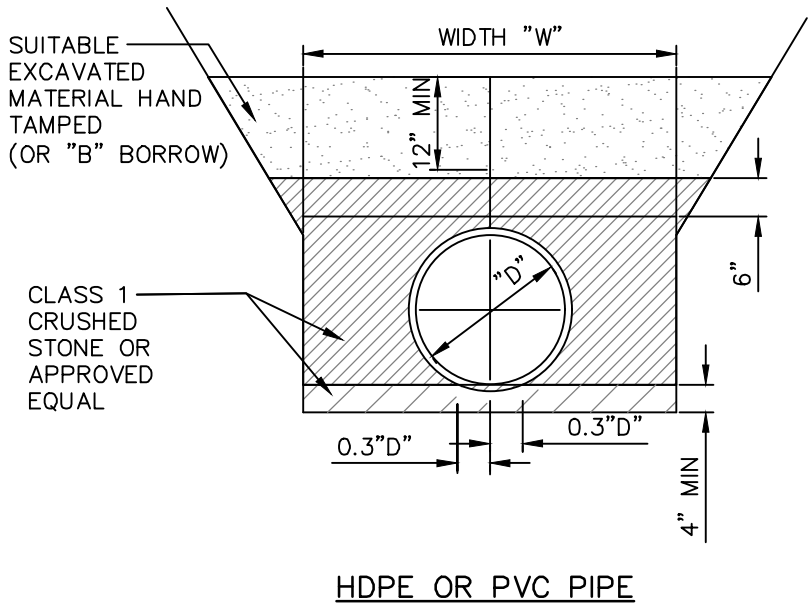
– PIPE SHALL BE FIRMLY BEDDED ON UNDISTURBED SOIL AS SHOWN IN SECTION. IN THE EVENT THE SOIL CANNOT BE SHAPED, OR THE CONTRACTOR PREFERS, THE TRENCH SHALL BE EXCAVATED TO A GREATER DEPTH AND BACK FILLED WITH SELECTED FILL AND COMPACTED AS SHOWN IN RIGHT SECTION. IN ALL CASES, BELL HOLES SHALL BE PROVIDED SO THAT THE BELL SUPPORTS NO WEIGHT. IN THE EVENT THAT THE EXCAVATED MATERIAL IS FOUND TO BE UNSUITABLE FOR TRENCHBACKFILL SHALL BE INDOT "B" BORROW OR EQAUL



MIN THICKNESS "T"	
4" TO 15"	6"
18" TO 36"	9"
OVER 36"	12"

NOTE:
ALL PVC PIPE SHALL BE INSTALLED FOLLOWING THE ASTM STANDARD PRACTICE D 2321-89.

MAX TRENCH WIDTH AT TOP OF PIPE	
DIA "D"	WIDTH "W"
6"	18"
8"	24"
10"	24"
12"	30"
15"	36"
18"	39"
21"	42"
24"	45"
27"	48"
30"	53"
36"	66"
42"	75"
48"	82"



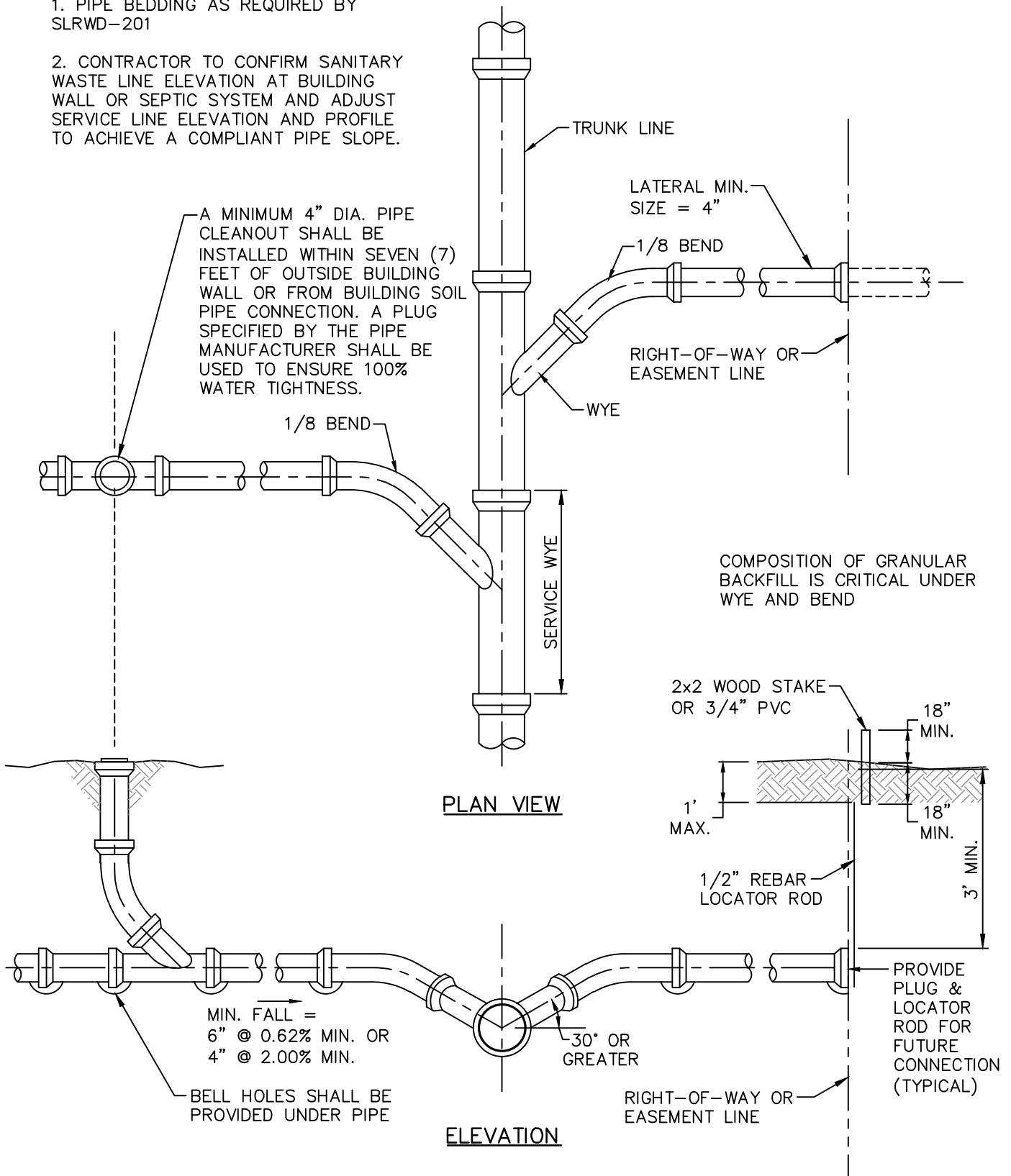
REV. DATE:	PRESSURE SEWER PIPE BEDDING DETAIL (ALL MATERIALS)
–	LAPORTE COUNTY REGIONAL SEWER AND WATER DISTRICT
	300 NIBCO PKWY SUITE 250 ELKHART, IN 46516 p: 574-849-0004



LAPORTE COUNTY REGIONAL SEWER AND WATER DISTRICT STANDARD DETAILS

NOTES:

1. PIPE BEDDING AS REQUIRED BY SLRWD-201
2. CONTRACTOR TO CONFIRM SANITARY WASTE LINE ELEVATION AT BUILDING WALL OR SEPTIC SYSTEM AND ADJUST SERVICE LINE ELEVATION AND PROFILE TO ACHIEVE A COMPLIANT PIPE SLOPE.



REV. DATE:	
-	

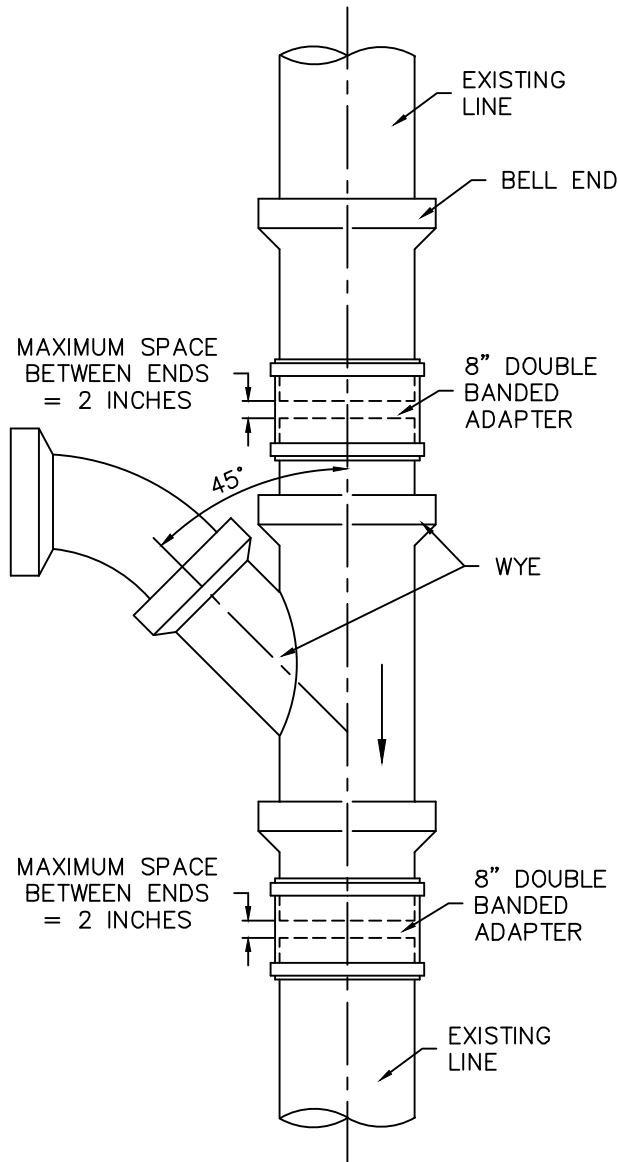
STANDARD GRAVITY SERVICE CONNECTION DETAIL

LAPORTE COUNTY
REGIONAL SEWER AND WATER DISTRICT

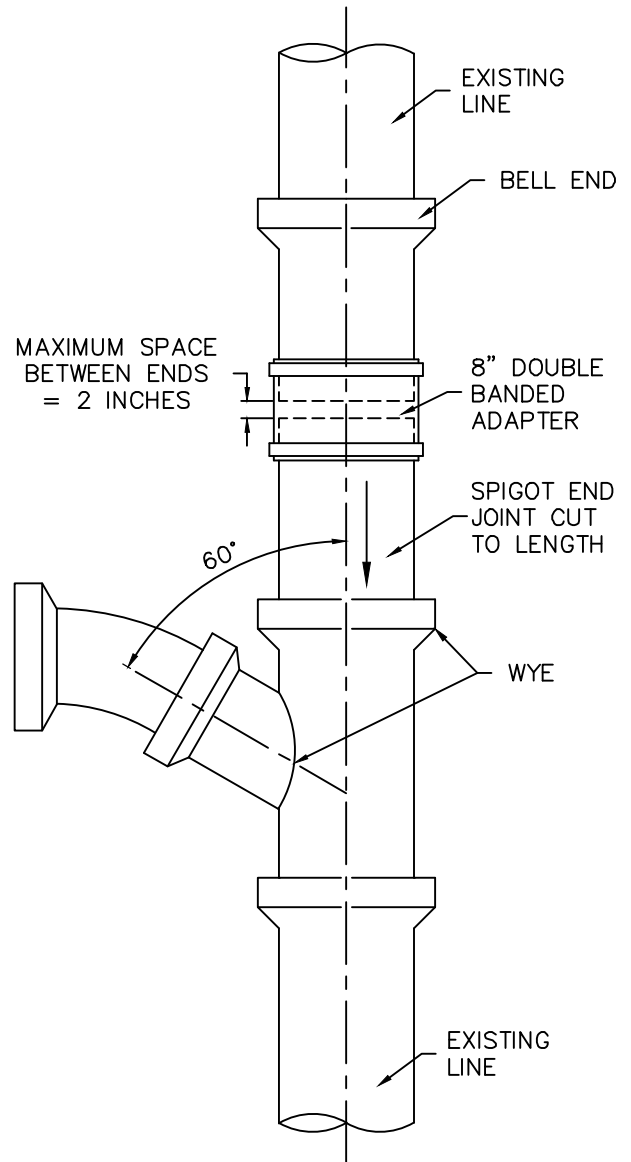
300 NIBCO PKWY
SUITE 250
ELKHART, IN 46516
p: 574-849-0004




LAPORTE COUNTY REGIONAL SEWER AND WATER DISTRICT STANDARD DETAILS



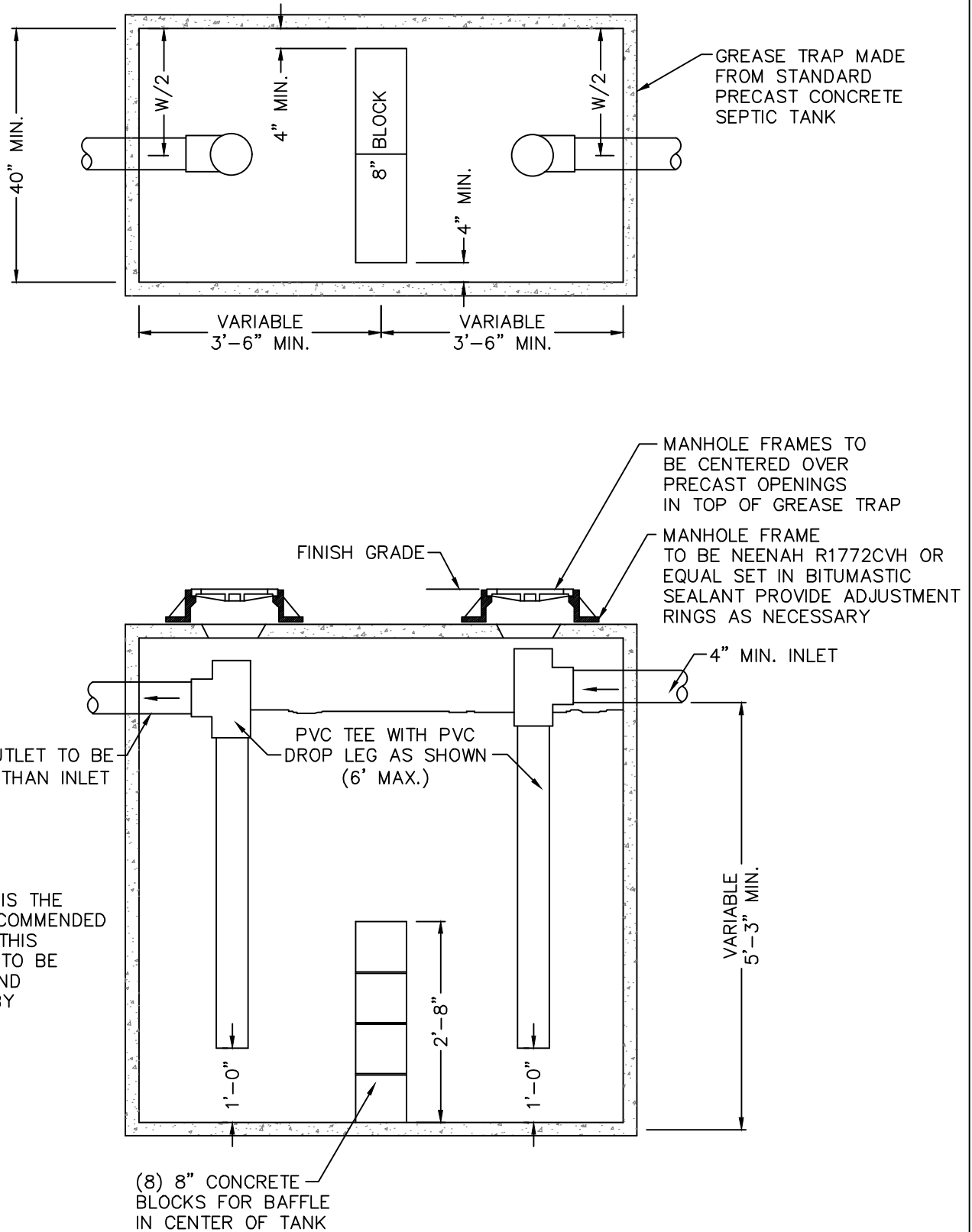
METHOD I



METHOD II

REV. DATE:	TYPICAL CUT-IN GRAVITY WYE METHODS I & II	
-	LAPORTE COUNTY REGIONAL SEWER AND WATER DISTRICT	300 NIBC0 PKWY SUITE 250 ELKHART, IN 46516 p: 574-849-0004
		LCRSWD-212

LAPORTE COUNTY REGIONAL SEWER AND WATER DISTRICT STANDARD DETAILS



NOTE: THIS IS THE MINIMUM RECOMMENDED STANDARD. THIS STRUCTURE TO BE PROVIDED AND INSTALLED BY CUSTOMER.

REV.	DATE:
-	

GREASE TRAP DETAIL (TYPICAL)
1,000 GAL MINIMUM OR AS REQUIRED

LAPORTE COUNTY
REGIONAL SEWER AND WATER DISTRICT

300 NIBCO PKWY
SUITE 250
ELKHART, IN 46516
p: 574-849-0004



LaPORTE COUNTY REGIONAL SEWER and WATER DISTRICT
c/o JPR, 300 Nibco Parkway, Suite 250
Elkhart, IN 46516

Sewer Connection Permit Page 1 of 4 - Form A

SEWER CONNECTION AGREEMENT
(Please type or print clearly)

I (we) _____ am (are) Owner(s) of real
Name(s)
Property, within the boundaries of the LaPorte County Regional Sewer and Water District, Located at

(Property Address)

It is my (our) understanding that I (we) am (are) asking to connect my (our) residence, business, or occupied structure to the sanitary sewer collection system that has been constructed by the LaPorte County Regional Sewer and Water District. (LCRSWD)

I (we) hereby agree to grant the LCRSWD the right to inspect, test, measure flows or otherwise monitor each underground building sanitary sewer service to ensure compliance with all local and non-local regulations.

Payment of the required \$30 connection permit application and \$70 connection inspection fee for a total of \$100 is included herewith.

I (we) agree to pay the monthly sewer service charge assessed by the LCRSWD and understand that it is subject to adjustment from time to time pursuant to the adopted rate ordinance. This will begin upon the physical installation of the connection to the system discussed herein being complete, inspected, and approved by the LCRSWD or upon which time the sewer system becomes available for use.

It is understood that this commitment runs with the premises and therefore will be binding upon any subsequent landowner or successor in interest to said property.

Upon execution of this agreement pursuant to the terms and conditions stated above as well as those requirements and regulations contained in the LCRSWD Adopted Use and Rate Ordinances, I (we) agree to connect to the LCRSWD sanitary sewer collection & treatment system.

THIS AGREEMENT and commitment are entered into this _____ day of _____ 20__.

Mailing Address

Signature of Owner

City State Zip

Signature of Owner

LaPORTE COUNTY REGIONAL SEWER and WATER DISTRICT
c/o JPR, 300 Nibco Parkway, Suite 250
Elkhart, IN 46516

Sewer Connection Permit Page 2 of 4 – Form B

SEWER CONNECTION PERMIT APPLICATION

(Please type or print clearly)

Date: _____

Name of Property Owner: _____

Mailing Address: _____

Phone Number: _____

Installing Contractor: _____

Contractor Address: _____

Contractor Phone Number: _____

Contractor License Information: _____

Contractor County Registration enclosed (if required): _____

Property Address (if different from mailing address): _____

Type of Structure: _____

Proposed Date of Connection: _____

Permit fee enclosed: _____

Certificate of Insurance enclosed: _____

Permit Bond enclosed: _____

Before sewer excavation or construction begins, the owner or installing contractor must apply for a building sewer connection permit, submit all required insurance and bond information, and pay all applicable fees, charges, and costs payable to the LaPorte County Regional Sewer and Water District. Before a building sewer or sewer lateral may be buried or put into use, it must be inspected and approved by a District inspector as to be in compliance with minimum requirements for design, materials and workmanship.

A COMPLETED SKETCH must be included with this application form upon its return for approval. **Form C** listing required information, is attached for your use.

Approved by: _____ Date: _____

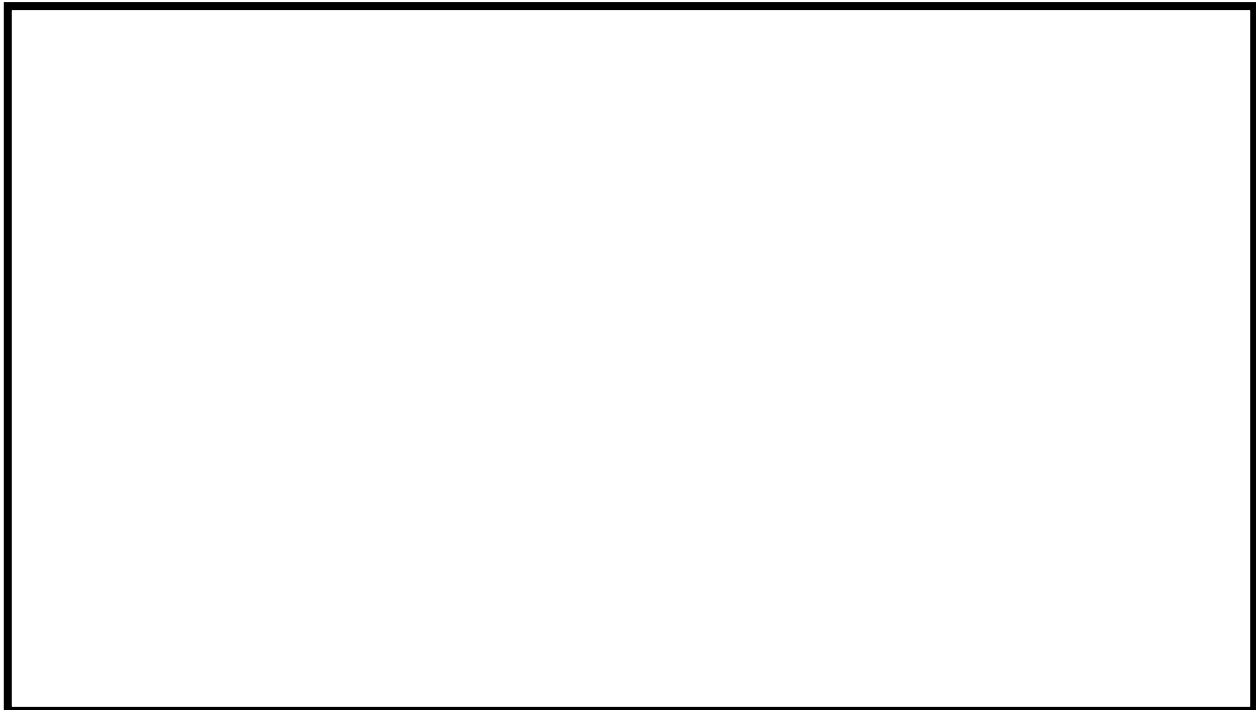
LaPORTE COUNTY REGIONAL SEWER and WATER DISTRICT
c/o JPR, 300 Nibco Parkway, Suite 250
Elkhart, IN 46516

Sewer Connection Permit Page 3 of 4 - Form C

SEWER LOCATION SKETCH
(Please type or print clearly)

Name: _____

Property Address: _____



SHOW ON SKETCH:

1. Indicate North direction with arrow.
2. Locate streets and alleys.
3. Locate any potable wells on the property.
4. Locate building on lot.
5. Show lot size.
6. Sketch location of proposed building sewer from the building to the grinder station, location of the grinder station, and location of the sewer lateral to the sewer main. (see Figure 2)
7. If applicable, sketch the location of the building sewer from the building to the private ejector pit. Sketch the pressure sewer lateral, including size, from ejector pit to grinder ejector pit. Sketch the pressure sewer lateral, including size, from ejector pit to grinder station.
8. Indicate proposed location of cleanouts.
9. Indicate length and pipe material of any gravity or pressure sewer runs.
10. Approximate depth of the gravity, force main and low-pressure pipe runs.

LaPORTE COUNTY REGIONAL SEWER and WATER DISTRICT
c/o JPR, 300 Nibco Parkway, Suite 250
Elkhart, IN 46516

Sewer Connection Permit Page 4 of 4 - Form D

SEWER CONNECTION CERTIFICATE OF APPROVAL

To Be Completed by a duly authorized representative of the LCRSWD only

Name(s) of Property Owner: _____ Date: _____

Address of Property: _____

Contact Phone Number: _____

Check if complete

- _____ Septic tank abandoned (attach documentation)
- _____ Clean out installed
- _____ Internal grey water lines re-routed to sewer
- _____ Surface and groundwater lines re-routed elsewhere
- _____ Bedding material under laterals
- _____ Piping and fixtures are in satisfactory condition or have been corrected to meet the rules and regulations of the District
- _____ Lateral & gasket installed
- _____ Flexible coupling on the outlet
- _____ Results of piping pressure tests attached
- _____ Material used for lateral if not installed by Contractor
- _____ All 4 Permit Forms Complete, signed, and fees paid

This approval does not release the contractor or property owner from any responsibility or liability related to workmanship or functionality.

The connection to the LCRSWD public sanitary sewer system associated with this permit has been installed pursuant to the spirit and intent of the local and non-local ordinances and regulations that apply to the same, and the installation has been inspected in the field by a duly authorized representative of the LCRSWD accordingly. Approval of this connection is hereby granted.

By: _____

Print Name: _____

Date: _____